


UNIT CODE	DESCRIPTION
C-SDR 240-24	240 Watt, 24 Volt, Single Output Compact DIN Rail Power Supply with PFC, GL and SEMI F47 approved

SPECIFICATIONS		
Input	Output	Approvals
Universal AC Input 88~264VAC	+24VDC @ 0 ~ 10A	

Features at a Glance:

Environmentally friendly, High reliability and quiet

High efficiency **94%** and low power dissipation

Slim (63mm), Installed on DIN rail TS35 / 7.5 or 15

Working temperature ranging from -25° C~+70° C

Complies with **GL** for marine and **SEMI F47** for semi-conductor fabrication equipment

Built-in: active PFC function, PF>0.93, constant current limiting circuit & DC OK relay contact

Protections: Short circuit / Over load /
Over voltage / Over temperature

LED indicator for power on

Cooling by natural (free air) convection

Certificates: UL, CUL, TUV, CE, CB, SEMI F47, GL

Safety standards: UL508 (industrial control equipment), TUV EN60950-1 approved and EN61000-6-2 (EN50082-2) industrial immunity level

MTBF hours: 169.3Khrs min. *MIL-HDBK-217F* (25° C)

3 year warranty

Case: 979A

Weight: 2.27 Lbs. (1.03 Kgs)

Dimensions: 2.48" W x 4.9" H x 4.46" D
63 x 125.2 x 113.5mm (W*H*D)



The compact **C-SDR 240** Series are industrial DIN rail power supplies with 94% efficiency and built-in protection: against short circuits, over loads, over voltage and over temperature. This power supply is ideal for PoE and PoE Plus applications because it provides 24 volts and 240 watts to power multiple high-power devices. With UL 508 (industrial control equipment) approval and a wide operating temperature range C-SDR-240 is reliable in even the most demanding environments. Complies with **GL** for marine and **SEMI F47** for semi-conductor fabrication equipment.

We recommend it with [TAC60™ enclosure air conditioner](#) and [TACE™ series enclosures](#) and in telecom, factory automation and electro-mechanical applications and any low noise (fan-less) application.

Pricing	1 ~ 9	\$ 192
	10+	\$ 185
	25+	\$ 175

POLLOCK INDUSTRIES, INC. 81 Butternut Road, White River, VT 05001

toll-free 1-866-665-5434 (603) 888-2467 sales@pollock.biz



■ Features :

- High efficiency 94% and low power dissipation
- 150% peak load capability
- Built-in active PFC function, PF>0.93
- Protections: Short circuit / Overload / Over voltage / Over temperature
- Cooling by free air convection
- Can be installed on DIN rail TS-35/7.5 or 15
- UL 508 (industrial control equipment) approved
- EN61000-6-2(EN50082-2) industrial immunity level
- Built-in DC OK relay contact
- 100% full load burn-in test
- 3 years warranty



SPECIFICATION

MODEL	SDR-240-24		SDR-240-48
OUTPUT	DC VOLTAGE	24V	
	RATED CURRENT	10A	
	CURRENT RANGE	0 ~ 10A	
	RATED POWER	240W	
	PEAK CURRENT	15A	
	PEAK POWER <small>Note.6</small>	360W (3sec.)	
	RIPPLE & NOISE (max.) <small>Note.2</small>	100mVp-p	120mVp-p
	VOLTAGE ADJ. RANGE	24 ~ 28V	
	VOLTAGE TOLERANCE <small>Note.3</small>	±1.0%	
	LINE REGULATION	±0.5%	
	LOAD REGULATION	±1.0%	
SETUP, RISE TIME	1500ms, 60ms/230VAC 3000ms, 60ms/115VAC at full load		
HOLD UP TIME (Typ.)	20ms/230VAC 20ms/115VAC at full load		
INPUT	VOLTAGE RANGE	88 ~ 264VAC 124 ~ 370VDC	
	FREQUENCY RANGE	47 ~ 63Hz	
	POWER FACTOR (Typ.)	0.93/230VAC 0.99/115VAC at full load	
	EFFICIENCY (Typ.) <small>Note.8</small>	94%	
	AC CURRENT (Typ.)	2.6A/115VAC 1.3A/230VAC	
	INRUSH CURRENT (Typ.)	33A/115VAC 65A/230VAC	
LEAKAGE CURRENT	<1mA/ 240VAC		
PROTECTION	OVERLOAD	Normally works within 110 ~ 150% rated output power for more than 3 seconds and then shut down o/p voltage with auto-recovery >150% rated power, constant current limiting with auto-recovery within 2 seconds and may cause to shut down if over 2 seconds	
	OVER VOLTAGE	29 ~ 33V	56 ~ 65V
	OVER TEMPERATURE	95°C ±5°C (TSW : detect on heatsink of power switch) Protection type : Shut down o/p voltage, recovers automatically after temperature goes down	
FUNCTION	DC OK REALY CONTACT RATINGS (max.)	60Vdc/0.3A, 30Vdc/1A, 30Vac/0.5A resistive load	
ENVIRONMENT	WORKING TEMP. <small>Note.5</small>	-25 ~ +70°C (Refer to "Derating Curve")	
	WORKING HUMIDITY	20 ~ 95% RH non-condensing	
	STORAGE TEMP., HUMIDITY	-40 ~ +85°C, 10 ~ 95% RH	
	TEMP. COEFFICIENT	±0.03%/°C (0 ~ 50°C)	
	VIBRATION	Component:10 ~ 500Hz, 2G 10min./1cycle, 60min. each along X, Y, Z axes; Mounting: Compliance to IEC60068-2-6	
SAFETY & EMC <small>(Note 4)</small>	SAFETY STANDARDS	UL508, TUV EN60950-1 approved	
	WITHSTAND VOLTAGE	I/P-O/P:3KVAC I/P-FG:1.5KVAC O/P-FG:0.5KVAC O/P-DC OK:0.5KVAC	
	ISOLATION RESISTANCE	I/P-O/P, I/P-FG, O/P-FG:>100M Ohms / 500VDC / 25°C / 70% RH	
	EMC EMISSION	Compliance to EN55022 (CISPR22) Class B, EN61000-3-2,-3	
OTHERS	EMC IMMUNITY	Compliance to EN61000-4-2,3,4,5,6,8,11, EN55024, EN61000-6-2 (EN50082-2), EN61204-3, heavy industry level, criteria A, SEMI F47, GL approved	
	MTBF	169.3K hrs min. MIL-HDBK-217F (25°C)	
	DIMENSION	63*125.2*113.5mm (W*H*D)	
	PACKING	1.03Kg; 12pcs/13.4Kg/1.06CUFT	
NOTE	<ol style="list-style-type: none"> 1. All parameters NOT specially mentioned are measured at 230VAC input, rated load and 25°C of ambient temperature. 2. Ripple & noise are measured at 20MHz of bandwidth by using a 12" twisted pair-wire terminated with a 0.1uf & 47uf parallel capacitor. 3. Tolerance : includes set up tolerance, line regulation and load regulation. 4. The power supply is considered a component which will be installed into a final equipment. The final equipment must be re-confirmed that it still meets EMC directives. 5. Installation clearances : 40mm on top, 20mm on the bottom, 5mm on the left and right side are recommended when loaded permanently with full power. In case the adjacent device is a heat source, 15mm clearance is recommended. 6. 3 seconds max., please refer to peak loading curves. 7. Derating may be needed under low input voltage. Please check the derating curve for more details. 8. After 30 minutes of burn-in. 		

POLLOCK INDUSTRIES

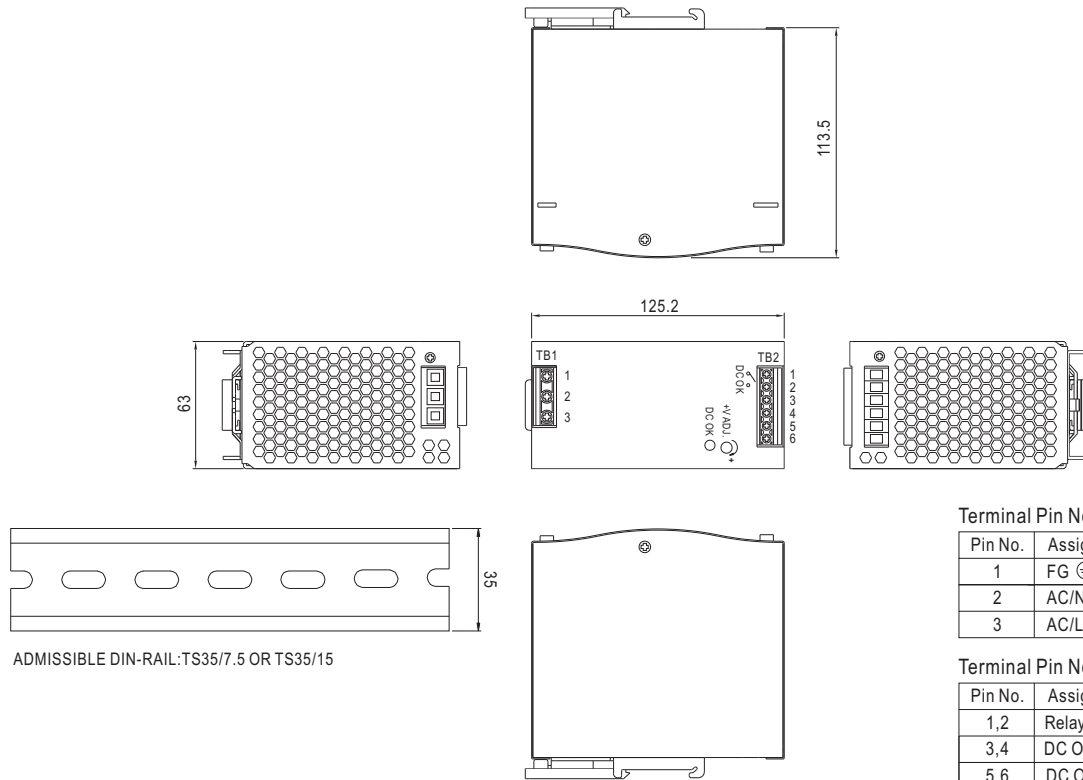


240W Single Output Industrial DIN RAIL with PFC Function

SDR-240 series

Mechanical Specification

Case No. 979A Unit:mm



ADMISSIBLE DIN-RAIL:TS35/7.5 OR TS35/15

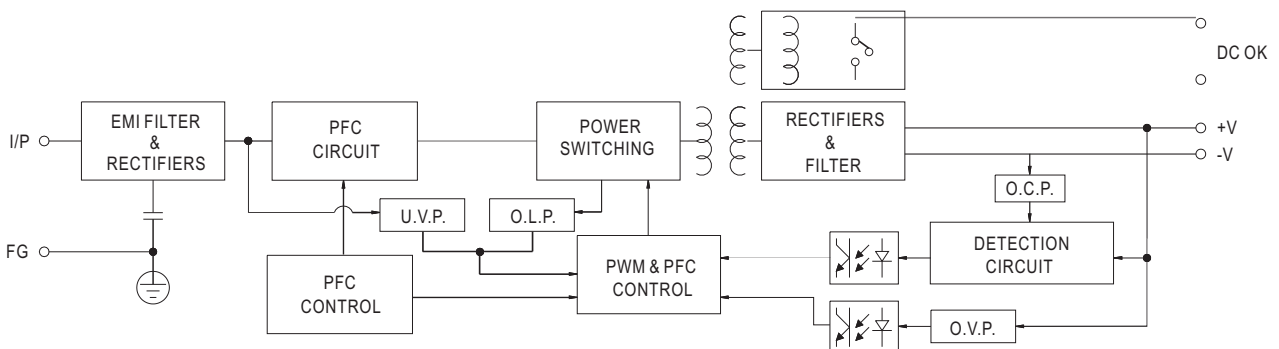
Terminal Pin No. Assignment (TB1)

Pin No.	Assignment
1	FG ⊕
2	AC/N
3	AC/L

Terminal Pin No. Assignment (TB2)

Pin No.	Assignment
1,2	Relay Contact
3,4	DC OUTPUT +V
5,6	DC OUTPUT -V

Block Diagram



DC OK Relay Contact

Contact Close	PSU turns on / DC OK.
Contact Open	PSU turns off / DC Fail.
Contact Ratings (max.)	30V/1A resistive load.

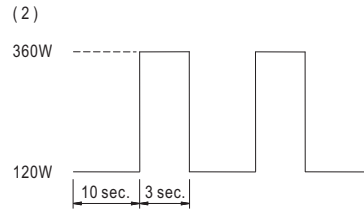
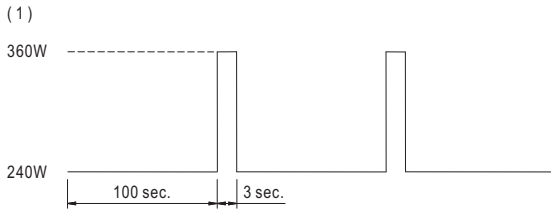
POLLOCK INDUSTRIES



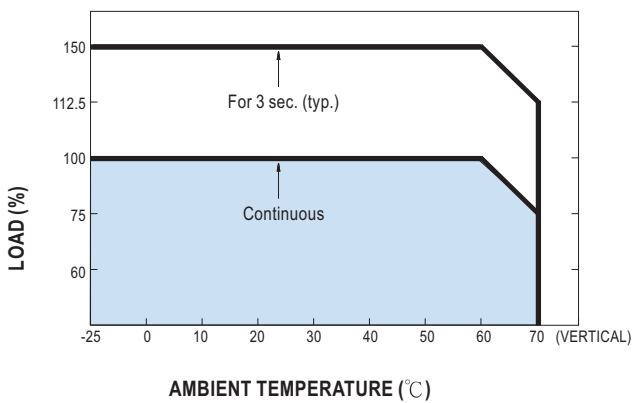
240W Single Output Industrial DIN RAIL with PFC Function

SDR-240 series

Peak Loading



Derating Curve



Output derating VS input voltage

