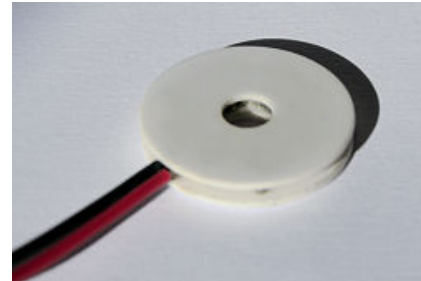
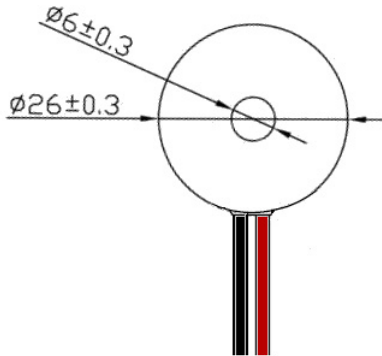


TMR 26-6-5.0

ROUND THERMOELECTRIC MODULE WITH HOLE

Specifications (Hot-Side Temperature 27 °C)

I_{max} maximum current at ΔT_{max}	V_{max} maximum voltage at ΔT_{max}	Q_{cmax} maximum cooling capacity at I _{max} , V _{max} and $\Delta T = 0\text{ }^{\circ}\text{C}$	ΔT_{max} maximum temperature difference at I _{max} , V _{max} and Q _c = 0W	Internal Resistance
5.0 Amps	6.1 Volts	17.8 Watts	68 °C	1.02 $\Omega \pm 10\%$



Dimensions (mm)

\varnothing OD = 26.0, \varnothing ID = 6.0 x 3.9 H

Operating temperature range: -50 °C ~ +80 °C
(Solder melting point: +105 °C)

Thickness tolerance: $\pm 0.3\text{mm}$
Flatness and parallel variance: $\pm 0.5\text{mm}$

Standard lead wires: 22 AWG, Tin (Sn) plated
at module interface, with a maximum
temperature of +90 °C
(Other wiring options available)

Maximum recommended compression: 1Mpa

Ceramics: Alumina (AL₂O₃)

*Are you a manufacturer and need a slightly different module?
Our TE modules can be customized in a variety of ways and
we can likely provide precisely what you require. Let us know
what you need and we'll be happy to let you know what we
can do for you.*

TMR 26-6-5.0 is a round single-stage thermoelectric module with a 26mm outer diameter and 6mm center hole.

TE modules with holes allow the user to pass light, sensors, components or hardware directly through the module.

A 3.3~5V DC source typically supplies power to TMR 26-6-5.0.

This is a high performance module commonly used for cooling or temperature stabilization applications including laboratory/medical equipment, a variety of instrumentation, opto-electronics, industrial equipment, electronics and more.

The module may also be safely used for heating to +80 °C. Maximum operating temperature range: -40 °C ~ +90 °C.

Contact sales@electracool.com for a quotation

TMR 26-6-5.0 Web Page

Advanced Thermoelectric, PO Box 1003, White River, VT 05001

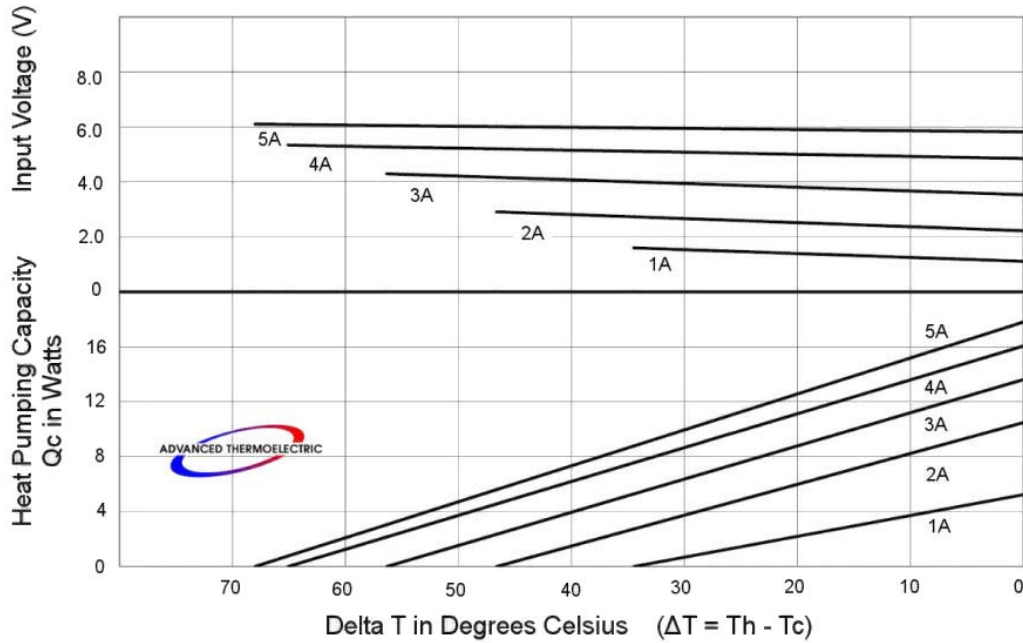
Advanced Thermoelectric toll-free 1-866-665-5434 (603) 888-2467 sales@electracool.com



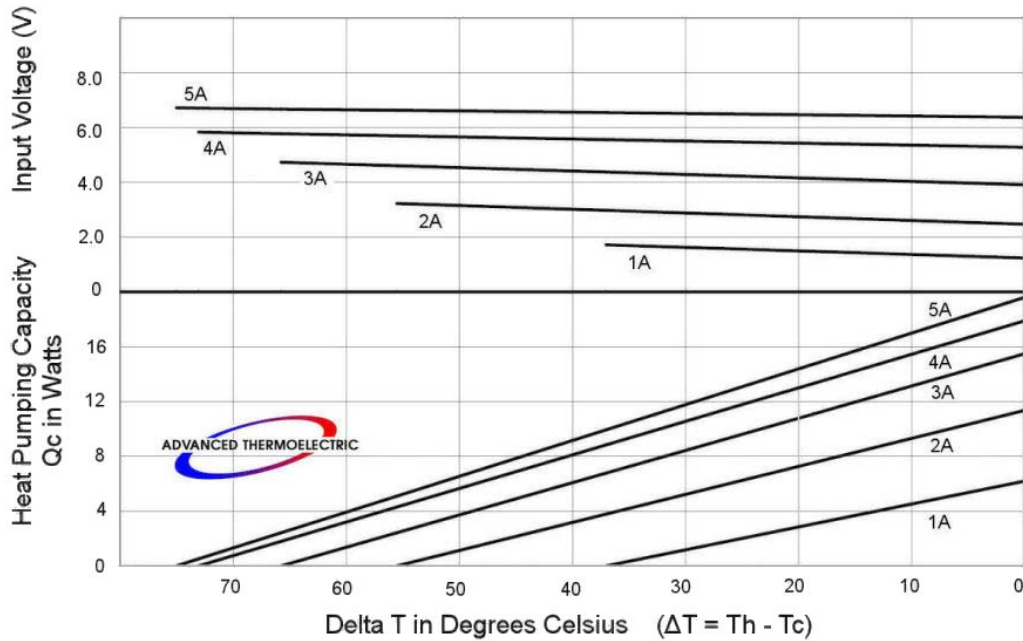
TMR 26-6-5.0

ROUND THERMOELECTRIC MODULE WITH HOLE

TMR 26-6-5.0 Performance Curves $T_h=27\text{ }^\circ\text{C}$



TMR 26-6-5.0 Performance Curves $T_h=50\text{ }^\circ\text{C}$



Advanced Thermoelectric, PO Box 1003, White River, VT 05001
toll-free 1-866-665-5434 (603) 888-2467 sales@electracool.com